

TREE YOKO LIMITED PARTNERSHIP

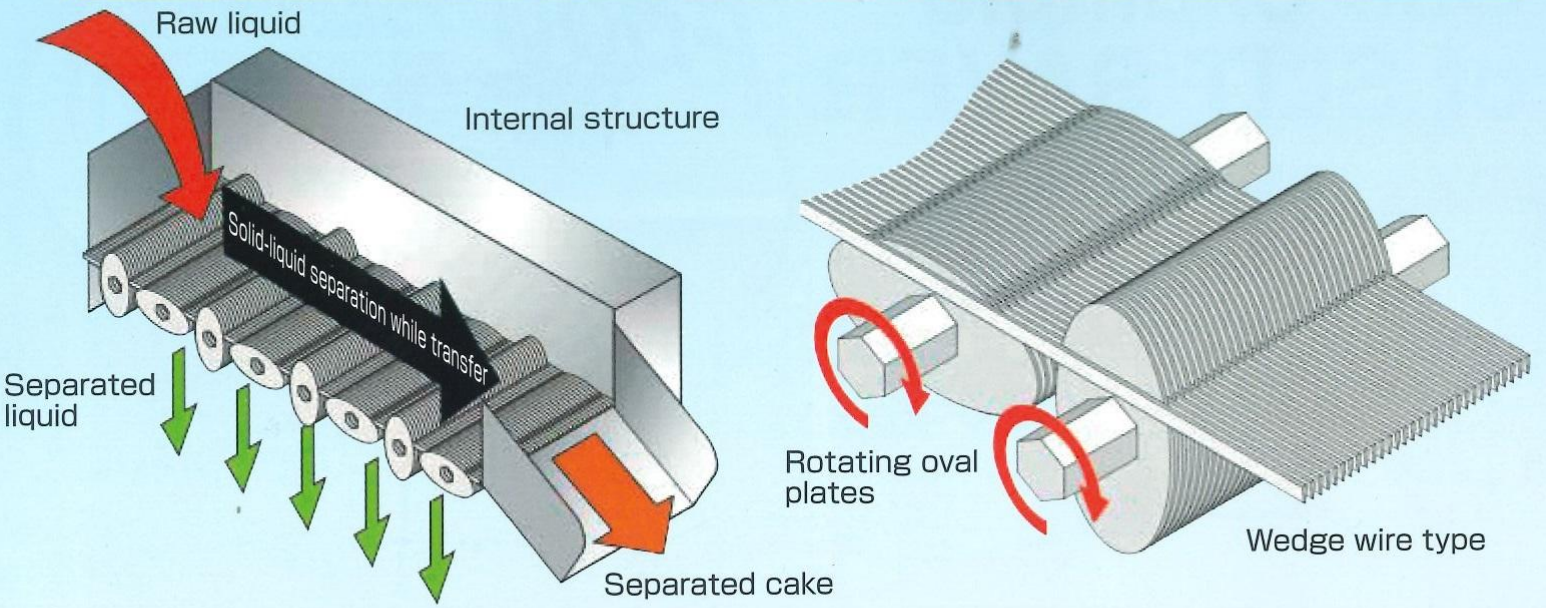
SLIT SAVER®

Solid-liquid oval plate separator

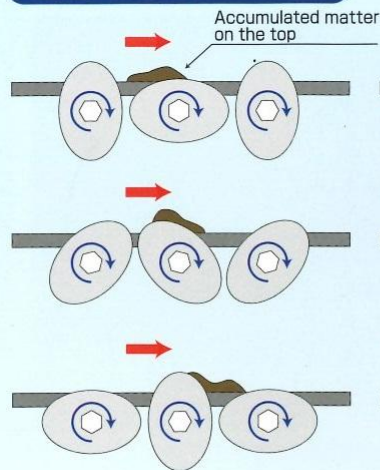
A unique revolutionary screen



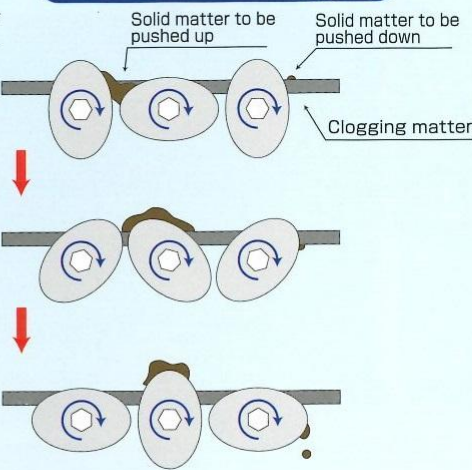
STRUCTURE



Transfer of solid matter

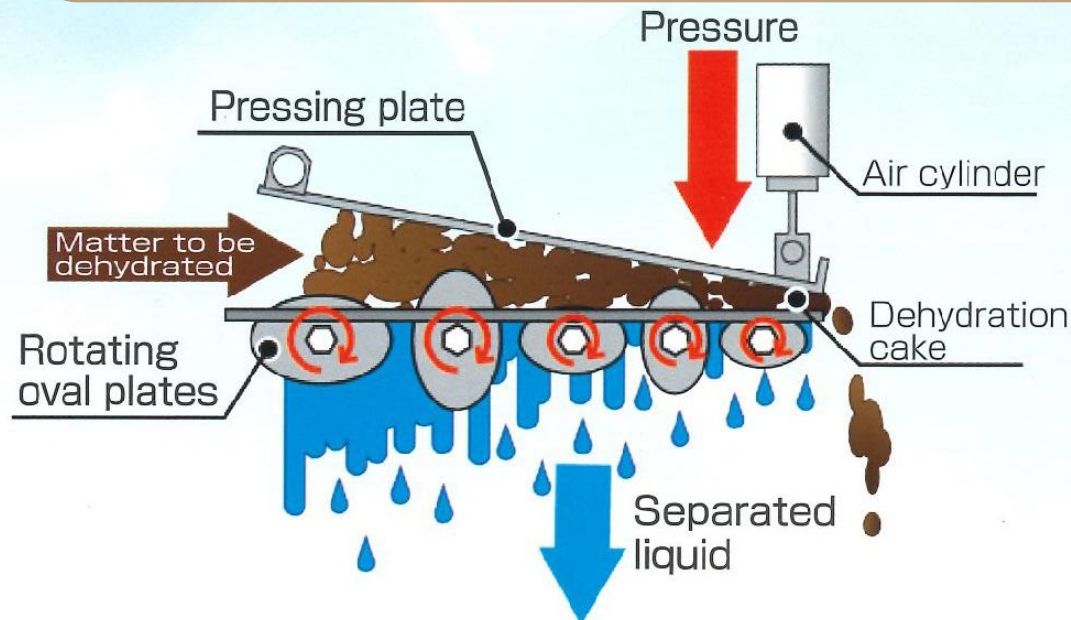


Reason for not clogging



The gaps for the thickness of the oval plates are always cleaned

PROCESS EXAMPLE



Reliable and well proven clog-free screen

A unique revolutionary screen

Solid-liquid oval plate separator

SLIT SAVER[®]

Patented

No noise or vibrations achieved through our unique principles.
Solid-liquid separator for environmental-friendly primary processing.

Feature

The clog-free slits makes reverse cleaning unnecessary

Continuous solid-liquid separation of raw liquid and self cleaning are performed at the same time by rotation of the contiguous placed oval plates between the slits.

Stable treatment capacity

Constant cleaning of the screening part prevents reduction in the treatment capacity due to clogging.

Large transfer capacity

The separated solid is automatically transferred by rotation of a group of oval plates.

Easy maintenance

Simple structure makes maintenance easy.



Under test operation



Reverse cleaning not required!

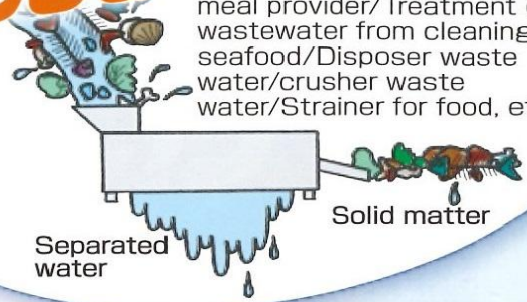
Outstanding performance for any solid-liquid separation!

The best possible performance is achieved by changing the slit width or materials depending on the purpose or the matter to be treated.

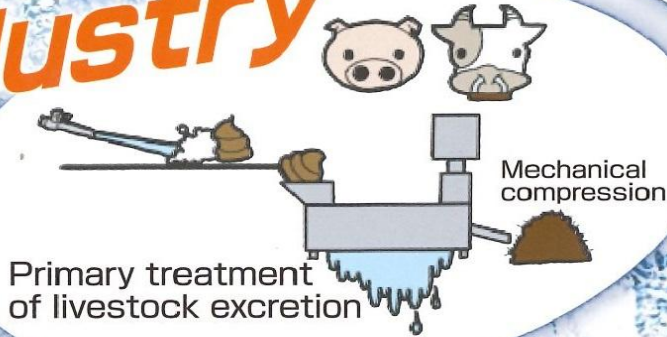
Use example of SLIT SAVER®

Food

Leftover food treatment in facilities such as school meal provider/Treatment of wastewater from cleaning seafood/Disposer waste water/crusher waste water/Strainer for food, etc.



Livestock industry



Primary treatment of public sewage



Purification of rivers, lakes and marshes



Others



SLIT SAVER[®]

Introduction Example



**Shochu (Japanese spirit)
dregs waste liquid
treatment**



**Marine product
processing wastewater
treatment**



**Pig dung wastewater
treatment**



**Food residue
wastewater treatment**

SLIT SAVER standard specifications list

Concentration • Solid-Liquid Separate Specifications

Pitch 1.0mm

Model	Number of oval plate rows	Nominal treatment width(mm)	Treatment capacity (kg-ds/hr)	Value reference (m ³ /hr)	Motor capacity (kw)	Dimensions (mm)
SS-312	12	300	50	2.5	0.2	W612-L1150-H400
SS-612	12	600	100	5	0.4	W912-L1483-H400
SS-812	12	800	210	10.5	0.75	W1180-L1450-H465
SS-1212	12	1200	310	15.5	0.75	W1580-L1450-H465

Value reference 2% concentration

It water varies depending on the density or properties of the treatment

SLIT SAVER dehydration specifications list

Pitch 1.0mm

Model	Number of oval plate rows	Nominal treatment width(mm)	Treatment capacity (kg-ds/hr)	Value reference (m ³ /hr)	Motor capacity (kw)	Dimensions (mm)
SS-311D	11	300	20~30	1~1.5	0.2	W 612-L1170-H400
SS-611D	11	600	50~60	2.5~3	0.4	W 912-L1170-H400
SS-1211D	11	1200	80~95	4~4.75	0.75	W1560-L1714-H465

Value reference 2% concentration

It water varies depending on the density or properties of the treatment



TREE YOKO LIMITED PARTNERSHIP

99/513 MOO 4 KINGKAE0 ROAD, BANGPLEEYAI, BANGPLEE, SAMUTPRAKARN 10540

E-mail: sittichai.d.cck@gmail.com

Mobile: +669-0282-0591

E-mail: sittichai.treeyoko@gmail.com